

## AP1130 Marine-Grade Large Hose Strap Installation Guide

The AP1130 is a multi-channel wireless access point with a watertight chassis that can be deployed in virtually any outdoor setting, including extreme environments. To prevent corrosion in environments where the device is exposed to salt-water, use a marine-grade bracket (AH-ACC-1130-MRN-KIT). This guide explains how to install the AP1130 on a mast or pole with a 3" to 15" (76 to 381 mm) diameter using the marine-grade large hose strap kit (AH-ACC-1130-STRP-MRN-3-15).

### Kit Contents

The illustration at the right shows the AP1130 marine-grade large hose strap. You will need a flat blade screwdriver to tighten the strap. Use this strap in conjunction with the installation instructions that shipped with your device, or find them online at [AP1130 Hardware User Guide](#).



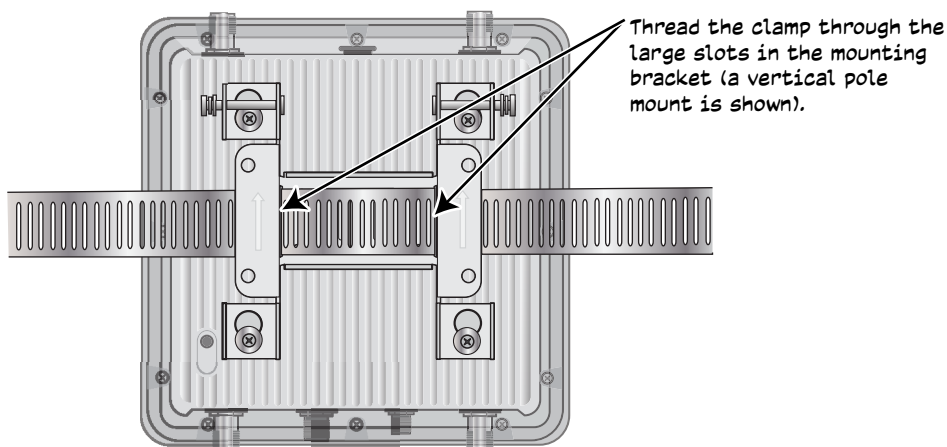
### Safety Instructions and Warnings

Read and follow the safety instructions and hazard warnings in the instructions that shipped with your device, or find them online at [AP1130 Hardware User Guide](#) when installing your device.

### Vertical or Horizontal Pole Mount

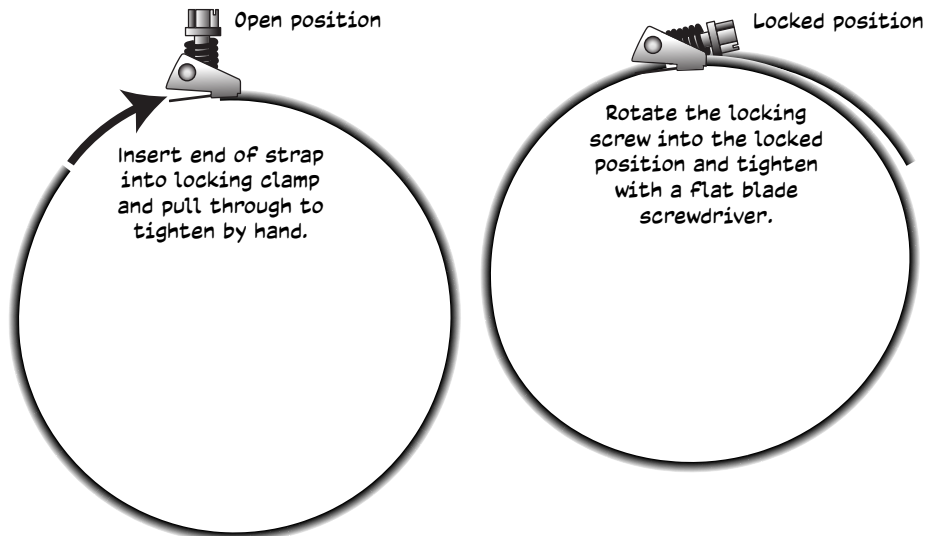
Follow these steps to mount the AP1130 on a large pole (3" to 15" or 76 to 381 mm) diameter using this strap.

1. Attach the bracket to the back of the unit as described in the [AP1130 Hardware User Guide](#).
2. Thread the open end of the strap through the large slots in the sides of the mounting bracket.



3. Rotate the strap tightening screw to the open position (90° to the strap) and insert the open end of the strap into the clamp.

4. Tighten the strap by hand until it is snug, rotate the tightening screw to the closed position, and finish tightening the screw with a flat blade screwdriver. Cut off the excess strap to prevent excess movement due to wind.



5. Be sure to properly ground the AP1130 according to the instructions in the AP1130 Installation Guide. The following illustration shows an AP1130 installed on a large vertical pole using the large hose strap.

