

AP500-Series Security Bracket Installation Instructions

This guide explains how to install locking security brackets on ceiling- or wall-mounted AP500-series devices.

Kit Contents, Required Accessories, and Tools

The security bracket kit (AH-ACC-SEC-KIT-80211AC-2) includes the following items:

- (5) security screws
- (2) locking brackets
- Security screw driver bit
- Installation instructions

You will need a screw driver socket that will accommodate the security screw bit.

The following illustrations show how to install the locking bracket for both diagonal and square mounted devices. Figure 1 shows how to secure square-mounted devices on dropped ceiling tracks. Figure 2 shows how to secure diagonally-mounted devices on dropped ceiling tracks, walls, or drywall ceilings.

Figure 1 Installing the locking security bracket on a square-mounted device

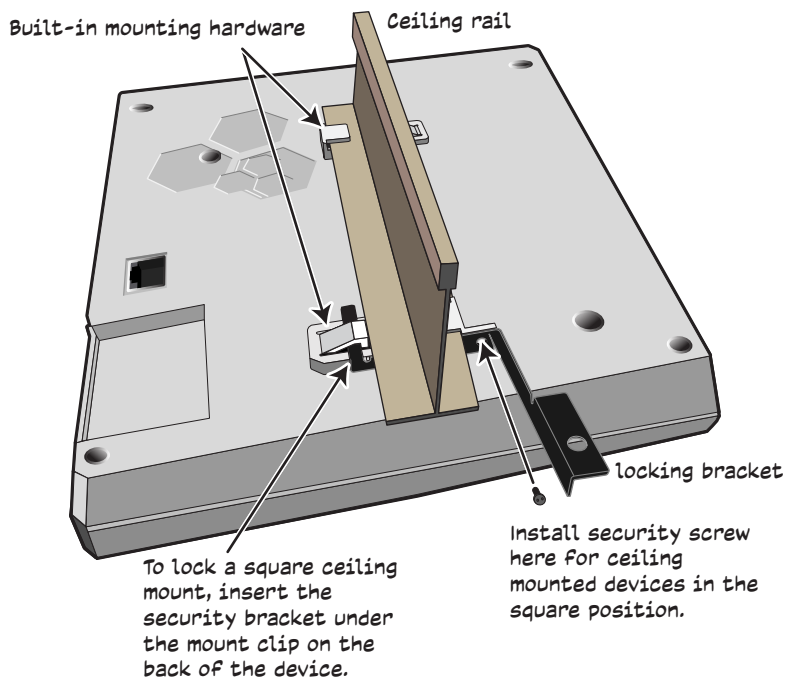


Figure 2 Installing the locking security bracket on diagonally-mounted device.

